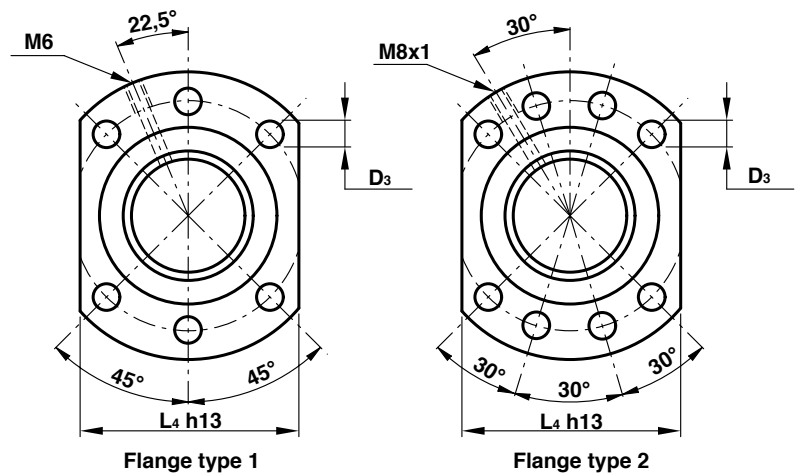
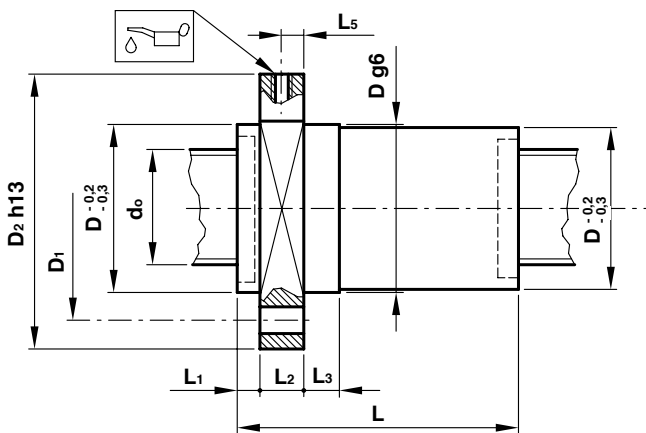


SFP | SINGLE PRELOADED NUT TYPE DIN 69051/5 FOR GROUND SCREWS

2

DIFFERENT PITCH AND DIMENSIONS ARE AVAILABLE UPON REQUEST. DIMENSIONS IN INCHES ARE ALSO AVAILABLE / *NON-NORMALIZED TYPES

TYPE	d _o	P _h	D _w	N	D	D ₁	D ₂	D ₃	L	L ₁	L ₂	L ₃	L ₄	L ₅	H	C _o	C _a	R _s
SPF4016-4	40	16	7.144	4X2	63	78	93	9	207	7	14	25	70	7	2	11153	8186	128
SFP4020-3		20	6.35	3X2	63	78	93	9	181	7	14v	25	70	7	2	8047	5673	102
SFP5005-3	50	5	3.175	3X2	75	93	110	11	78	7	16	16	85	8	2	6238	2021	116
SFP5005-4		5	3.175	4X2	75	93	110	11	88	7	16	16	85	8	2	7693	2492	142
SFP5005-5		5	3.175	5X2	75	93	110	11	98	7	16	16	85	8	2	9087	2944	168
SFP5005-6		5	3.175	6X2	75	93	110	11	108	7	16	16	85	8	2	10394	3367	192
SFP5010-3		10	6.35	3x2	75	93	110	11	119	7	16	16	85	8	2	10911	6049	126
SFP5010-4		10	6.35	4X2	75	93	110	11	144	7	16	16	85	8	2	13456	7460	156
SFP5012-3		12	7.144	3x2	75	93	110	11	143	7	16	16	85	8	2	11730	7073	124
SFP5012-4*		12	7.144	4X2	75	93	110	11	170	7	16	16	85	8	2	14467	8722	154
SFP5016-4		16	7.144	4X2	75	93	110	11	212	7	16	25	85	8	2	14467	8723	154
SFP5020-3		20	6.35	3X2	75	93	110	11	185	7	16	25	85	8	2	10911	6049	126
SFP5020-3-B		20	9.525	3X2	75	93	110	11	190	7	16	25	85	8	2	15068	10147	118
SFP6305-6	63	5	3.175	6X2	90	108	125	11	112	7	18	10	95	9	2	13578	3608	234
SFP6305-5		5	3,5	5x5	90	108	125	11	102	7	18	10	95	9	2	12922	3789	208
SFP6305-6		5	3,5	6x2	90	108	125	11	112	7	18	10	95	9	2	14781	4335	238
SFP6310-4		10	6,35	4x2	90	108	125	11	146	7	18	10	95	9	2	17772	7981	188
SFP6310-5		10	6.35	5X2	90	108	125	11	166	7	18	16	95	9	2	20990	9427	222
SFP6312-4*		12	7.144	4X2	90	108	125	11	172	7	18	16	95	9	2	19879	9325	190
SFP6316-4		16	9.525	4X2	95	115	135	13.5	220	9	20	25	100	10	2	27473	13364	188
SFP6320-3		20	9.525	3X2	95	115	135	13.5	210	9	20	25	100	10	2	22276	10836	152
SFP8010-4	80	10	6,35	4x2	105	125	145	13.5	152	9	20	25	100	10	2	24222	8563	234
SFP8010-5		10	6.35	5X2	105	125	145	13.5	172	9	20	16	110	10	2	28608	10114	276
SFP8016-4		16	9.525	4X2	125	145	165	13.5	226	9	25	25	130	12.5	2	36811	14319	228
SFP8020-3		20	9.525	3X2	125	145	165	13.5	218	9	25	25	130	12.5	2	29787	11588	185



- N Nr of ball screw revolutions D_w Ball diameter (mm)
- H Flange type C_o Static load capacity (daN)
- d_o Major diameter (mm) C_a Dynamic load capacity (daN)
- P_h Pitch (mm) R_e Nut rigidity (daN/μm)

OFFICINA MECCANICA B.B.
WWW.OFFICINAMECCANICABB.COM

