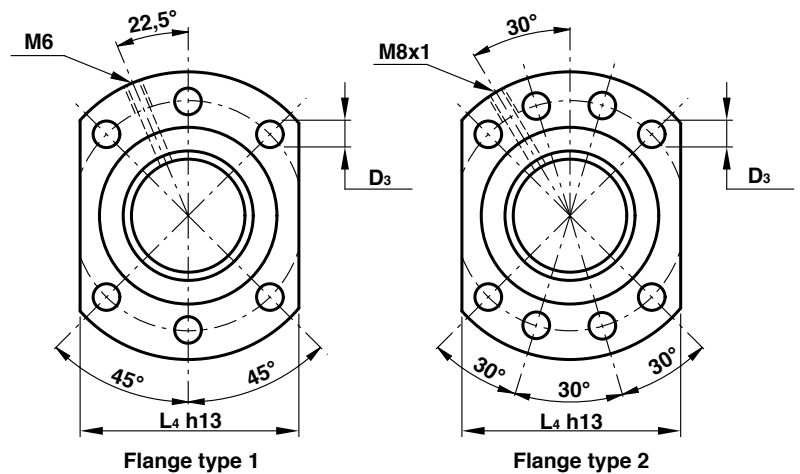
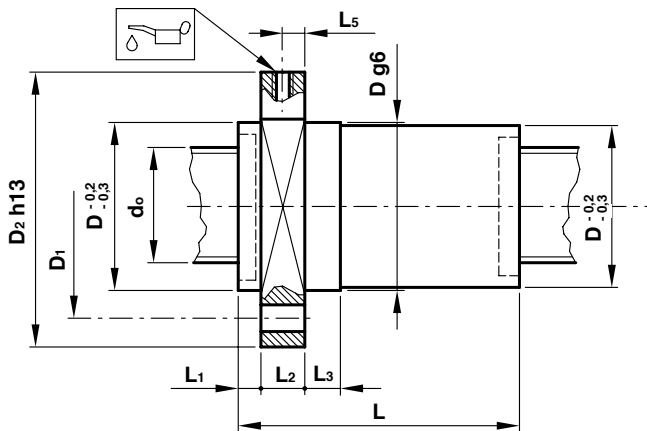


SFP | SINGLE PRELOADED NUT TYPE DIN 69051/5 FOR GROUND SCREWS

1

DIFFERENT PITCH AND DIMENSIONS ARE AVAILABLE UPON REQUEST. DIMENSIONS IN INCHES ARE ALSO AVAILABLE / *NON-NORMALIZED TYPES

TYPE	d_o	P_h	D_w	N	D	D_1	D_2	D_3	L	L_1	L_2	L_3	L_4	L_5	H	C_o	C_a	R_s
SFP1604-2*	16	4	2.381	2X2	28	38	48	5.5	50	5	10	10	40	5		923	553	30
SFP1605-2		5	3.175	2X2	28	38	48	5.5	55	5	10	10	40	5	1	1128	1098	32
SFP2004-2*	20	4	2.381	2X2	36	47	58	6.6	50	5	10	10	44	5	1	1232	590	36
SFP2005-2		5	3.175	2X2	36	47	58	6.6	55	5	10	10	44	5	1	1523	1170	40
SFP2005-3		5	3.175	3X2	36	47	58	6.6	65	5	10	10	44	5	1	2012	1545	52
SFP2504-3*	25	4	2.381	3X2	40	51	62	6.6	60	5	10	10	48	5	1	2198	832	58
SFP2505-3		5	3.175	3X2	40	51	62	6.6	68	6	10	10	48	5	1	2728	1648	64
SFP2505-3		5	3.5	3X2	40	51	62	6.6	68	6	10	10	48	5	1	2814	1979	64
SFP2506-3*		6	3.969	3X2	40	51	62	6.6	80	6	10	10	48	5	1	3147	2472	66
SFP2510-2		10	4.762	2X2	40	51	62	6.6	86	6	10	16	48	5	1	2568	2489	48
SFP2510-3		10	4.762	3X2	40	51	62	6.6	106	6	10	16	48	5	1	3392	3286	64
SFP3205-3	32	5	3.175	3X2	50	65	80	9	72	6	12	10	62	6	1	3472	1770	80
SFP3205-4		5	3.175	4X2	50	65	80	9	82	6	12	10	62	6	1	4615	2184	100
SFP3205-5		5	3.175	5X2	50	65	80	9	92	6	12	10	62	6	1	5451	2579	118
SFP3206-3*		6	3.969	3X2	50	65	80	9	86	6	12	10	62	6	1	4278	2654	82
SFP3206-4		6	3.969	4X2	50	65	80	9	92	6	12	10	62	6	1	5276	3273	102
SFP3208-4		8	3.969	4X2	50	65	80	9	105	6	12	10	62	6	1	5276	3273	102
SFP3208-5		8	3.969	5X2	50	65	80	9	121	6	12	10	62	6	1	6332	3865	120
SFP3210-3		10	6.35	3X2	50	65	80	9	118	6	12	16	62	6	1	5956	5325	82
SFP4005-4	40	5	3.175	4X2	63	78	93	9	85	7	14	10	70	7	2	6055	2332	120
SFP4005-6		5	3.175	6X2	63	78	93	9	105	7	14	10	70	7	2	8181	3151	162
SFP4006-3*		6	3.969	3X2	63	78	93	9	89	7	14	10	70	7	2	5850	2832	102
SFP4010-3		10	6.35	3X2	63	78	93	9	122	7	14	16	70	7	2	8047	5673	102
SFP4010-4		10	6.35	4X2	63	78	93	9	142	7	14	16	70	7	2	9924	6996	126
SFP4012-4*		12	7.144	4X2	63	78	93	9	168	7	14	16	70	7	2	11146	8185	127



- N Nr of ball screw revolutions
- H Flange type
- d_o Major diameter (mm)
- P_h Pitch (mm)
- D_w Ball diameter (mm)
- C_o Static load capacity (daN)
- C_a Dynamic load capacity (daN)
- R_s Nut rigidity (daN/ μ m)

OFFICINA MECCANICA B.B.
WWW.OFFICINAMECCANICABB.COM

