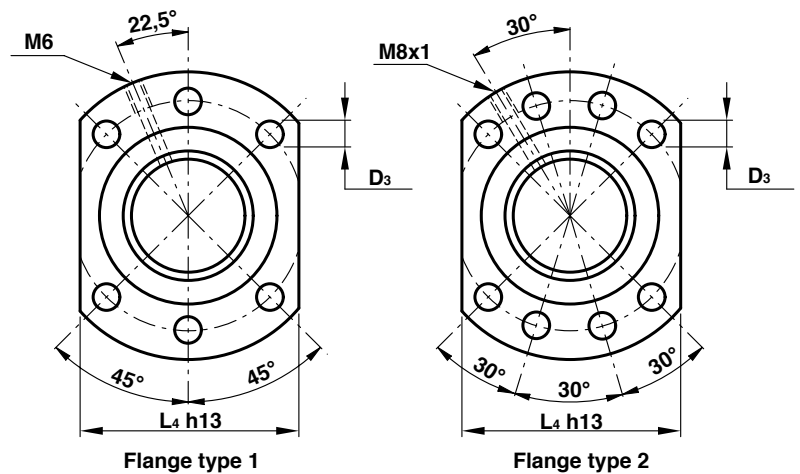
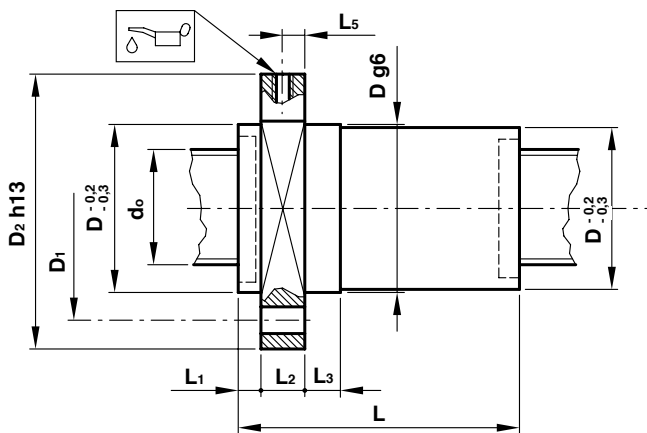


# RUD | SINGLE FLANGED NUT TYPE DIN 69051/5 FOR ROLLED SCREWS

1

DIFFERENT PITCH AND DIMENSIONS ARE AVAILABLE UPON REQUEST. DIMENSIONS IN INCHES ARE ALSO AVAILABLE / \*NON-NORMALIZED TYPES

TIPO	d <sub>o</sub>	P <sub>h</sub>	D <sub>w</sub>	N	D	D <sub>1</sub>	D <sub>2</sub>	D <sub>3</sub>	L	L <sub>1</sub>	L <sub>2</sub>	L <sub>3</sub>	L <sub>4</sub>	L <sub>5</sub>	H	C <sub>o</sub>	C <sub>a</sub>	R <sub>s</sub>
RUD1405	14	5	3,175	2	24	36	46	5,5	44	5	10	10	40	5	1	846	730	14
RUD1605		5	3,175	3	28	38	48	5,5	50	5	10	10	40	5	1	1191	1160	21
RUD1610*	16	10	3,175	3	28	38	48	5,5	55	5	10	10	40	5	1	1191	1160	21
RUD1616*		16	3	2	28	38	48	5,5	49	4	12	15	40	6	1	887	783	16
RUD1616-3		16	3	3	28	38	48	5,5	65	4	12	20	40	6	1	1160	1006	19
RUD2005	20	5	3,175	3	36	47	58	6,6	45	/	12	10	44	5	1	1609	1236	26
RUD2005		5	3,175	4	36	47	58	6,6	54	5	10	10	44	5	1	1985	1525	33
RUD2505		5	3,175	4	40	51	62	6,6	54	5	10	10	48	5	1	2691	1626	40
RUD2505-B		5	3,175	4	40	51	62	6,6	45	/	12	10	48	6	1	2691	1625	40
RUD2506*		6	3,969	4	40	51	62	6,6	65	6	10	10	48	5	1	3105	2439	41
RUD2510-3	25	10	4,762	3	40	51	62	6,6	65	/	10	10	48	5	1	2713	2628	32
RUD2510-4		10	4,762	4	40	51	62	6,6	85	6	10	10	48	5	1	3346	3242	40
RUD2525		25	3,969	2	45	60	73	6,6	72	6	12	15	62	6	1	2383	1872	25
RUD2525-B		25	3,969	3	40	51	62	6,6	95	/	12	30	48	6	1	2940	2458	33
RUD3205		5	3,175	4	50	65	80	9	54	6	12	10	62	6	1	3692	1747	50
RUD3206*	32	6	3,969	4	50	65	80	9	65	6	12	10	62	6	1	4221	2618	51
RUD3210		10	6,35	4	50	65	80	9	93	6	12	16	62	6	1	5876	5254	51
RUD3232		32	3,969	3	50	65	80	9	120	/	13	40	62	6,5	1	4270	2642	41
RUD4005		5	3,175	5	63	78	93	9	62	6	14	10	70	7	2	5722	2204	71
RUD4010		10	6,35	5	63	78	93	9	106	7	14	16	70	7	2	9377	6611	75
RUD4040*	40	40	6,35	2	70	85	100	9	100	7	14	16	80	7	2	4875	3437	39
RUD4040-2		40	6,35	2+2	70	85	100	9	100	7	15	15	80	7,5	2	7939	5596	50
RUD5010	50	10	6,35	5	75	93	110	11	108	7	16	16	85	8	2	12714	7050	92



- N Nr of ball screw revolutions      D<sub>w</sub> Ball diameter (mm)
- H Flange type                              C<sub>o</sub> Static load capacity (daN)
- d<sub>o</sub> Major diameter (mm)                C<sub>a</sub> Dynamic load capacity (daN)
- P<sub>h</sub> Pitch (mm)                                R<sub>e</sub> Nut rigidity (daN/μm)

**OFFICINA MECCANICA B.B.**  
WWW.OFFICINAMECCANICABB.COM

