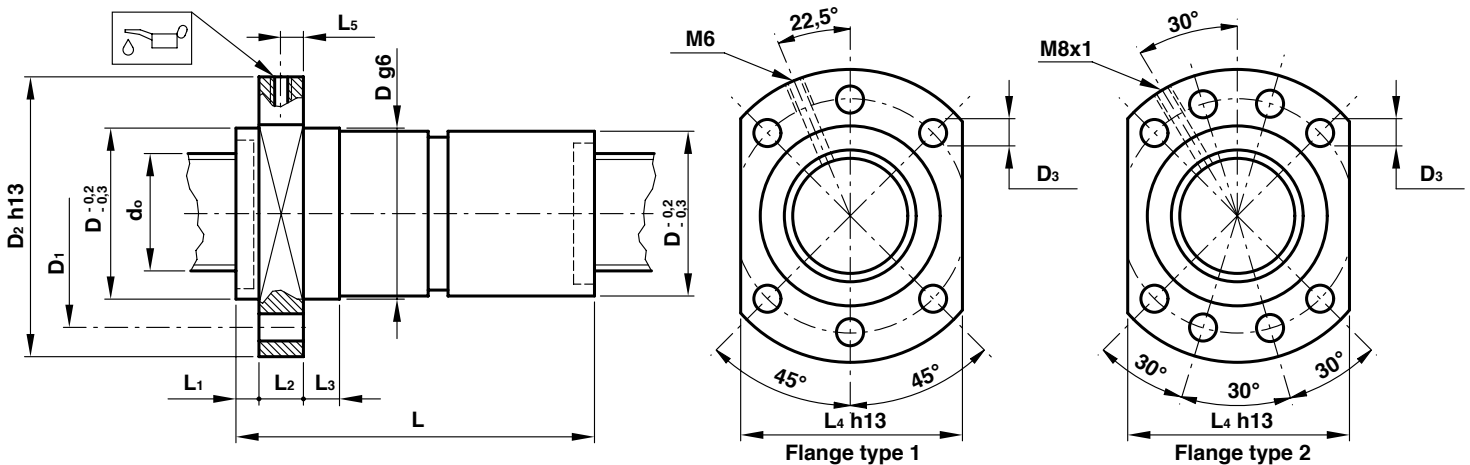


DF | DOUBLE PRELOADED NUT TYPE DIN 69051/5 FOR GROUND SCREWS

4

DIFFERENT PITCH AND DIMENSIONS ARE AVAILABLE UPON REQUEST. DIMENSIONS IN INCHES ARE ALSO AVAILABLE / *NON-NORMALIZED TYPES

TYPE	d _o	P _h	D _w	N	D	D ₁	D ₂	D ₃	L	L ₁	L ₂	L ₃	L ₄	L ₅	H	C _o	C _a	R _s
DF8010-3				3					154							19640	6943	190
DF8010-4	80	10	6,35	4	105	125	145	13,5	174	9	20	16	110	10	2	24222	8563	234
DF8010-5				5					194							28608	10114	276
DF8010-6				6					214							32724	11571	316
DF8012-3				3					172							21340	8109	188
DF8012-4	80*	12	7,144	4	105	125	145	13,5	196	9	20	16	110	10		26318	10001	232
DF8012-5				5					220							31084	11813	274
DF8012-6				6					244							35557	13514	312
DF8016-4				4					250							36811	14319	228
DF8016-5	80	16	9,525	5	125	145	165	13,5	282	9	25	25	130	12,5	2	43477	16913	270
DF8016-6				6					314							49733	19346	308
DF8020-3				3					250							29787	11588	185
DF8020-4	80	20	9,525	4	125	145	165	13,5	290	9	25	25	130	12,5	2	36736	14293	228
DF8020-5				5					330							43388	16882	269
DF10010-4				4					177							30774	9150	276
DF10010-5	100	10	6,35	5	125	145	165	13,5	197	10	22	16	130	11	2	36346	10808	326
DF10010-6				6					217							41576	12365	374
DF10012-4				4					199							34586	10683	280
DF10012-5	100*	12	7,144	5	125	145	165	13,5	223	10	22	16	130	11	2	40849	12619	330
DF10012-6				6					247							46726	14436	378
DF10016-5				5					296							58775	18027	330
DF10016-6	100	16	9,525	6	150	176	202	17,5	328	10	30	25	155	15	2	67231	20621	378
DF10016-7				7					360							74999	23003	422
DF10020-4				4					306							49683	15262	280
DF10020-5	100	20	9,525	5	150	176	202	17,5	346	10	30	25	155	15	2	58680	18027	331
DF10020-6				6					386							67123	20623	378



- N Nr of ball screw revolutions
- H Flange type
- d_o Major diameter (mm)
- P_h Pitch (mm)
- D_w Ball diameter (mm)
- C_o Static load capacity (daN)
- C_a Dynamic load capacity (daN)
- R_e Nut rigidity (daN/μm)

OFFICINA MECCANICA B.B.
WWW.OFFICINAMECCANICABB.COM

