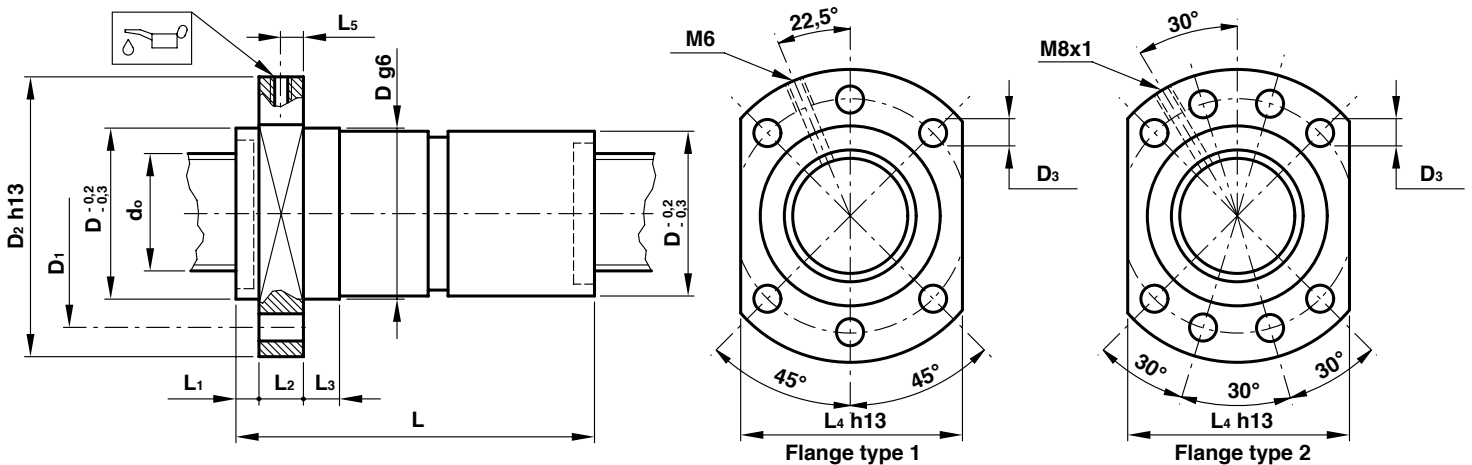


# DF | DOUBLE PRELOADED NUT TYPE DIN 69051/5 FOR GROUND SCREWS

1

DIFFERENT PITCH AND DIMENSIONS ARE AVAILABLE UPON REQUEST. DIMENSIONS IN INCHES ARE ALSO AVAILABLE / \*NON-NORMALIZED TYPES

TYPE	d <sub>o</sub>	P <sub>h</sub>	D <sub>w</sub>	N	D	D <sub>1</sub>	D <sub>2</sub>	D <sub>3</sub>	L	L <sub>1</sub>	L <sub>2</sub>	L <sub>3</sub>	L <sub>4</sub>	L <sub>5</sub>	H	C <sub>o</sub>	C <sub>a</sub>	R <sub>s</sub>
DF1604-2				2					64							923	553	30
DF1604-3	16*	4	2,381	3	28	38	48	5,5	71	5	10	10	40	5	1	1219	730	40
DF1604-4				4					79							1503	900	48
DF1605-2				2					75							1128	1098	32
DF1605-3	16	5	3,175	3	28	38	48	5,5	85	5	10	10	40	5	1	1489	1450	42
DF1605-4				4					95							1836	1789	52
DF1610-2	16*	10	3,175	2	28	38	48	5,5	100	5	10	10	40	5	1	1128	1098	32
DF1610-3				3					120							1489	1450	42
DF2004-2				2					64							1232	590	36
DF2004-3	20*	4	2,381	3	36	47	58	6,6	71	5	10	10	44	5	1	1627	779	48
DF2004-4				4					79							2006	961	58
DF2005-2				2					75							1523	1170	40
DF2005-3	20	5	3,175	3	36	47	58	6,6	85	5	10	10	44	5	1	2012	1545	52
DF2005-4				4					95							2481	1906	66
DF2504-2				2					64							1665	630	44
DF2504-3	25*	4	2,381	3	40	51	62	6,6	71	5	10	10	48	5	1	2198	832	58
DF2504-4				4					79							2711	1026	72
DF2505-2				2					75							2066	1248	50
DF2505-3	25	5	3,175	3	40	51	62	6,6	85	5	10	10	48	5	1	2728	1648	64
DF2505-4				4					95							3364	2032	80
DF2505-5				5					105							3973	2400	94
DF2506-2				2					88							2383	1872	50
DF2506-3	25*	6	3,969	3	40	51	62	6,6	100	6	10	10	48	5	1	3147	2472	66
DF2506-4				4					112							3881	3049	82
DF2506-5				5					124							4583	3601	98
DF2510-2				2					102							2568	2489	48
DF2510-3	25	10	4,762	3	40	51	62	6,6	132	6	10	16	48	5	1	3392	3286	64
DF2510-4				4					152							4183	4053	80
DF3205-3				3					88							3742	1771	80
DF3205-4	32	5	3,175	4	50	65	80	9	98	6	12	10	62	6	1	4615	2184	100
DF3205-5				5					108							5451	2579	118
DF3205-6				6					118							6235	2950	134



- N Nr of ball screw revolutions
- H Flange type
- d<sub>o</sub> Major diameter (mm)
- P<sub>h</sub> Pitch (mm)
- D<sub>w</sub> Ball diameter (mm)
- C<sub>o</sub> Static load capacity (daN)
- C<sub>a</sub> Dynamic load capacity (daN)
- R<sub>e</sub> Nut rigidity (daN/μm)

**OFFICINA MECCANICA B.B.**  
WWW.OFFICINAMECCANICABB.COM

