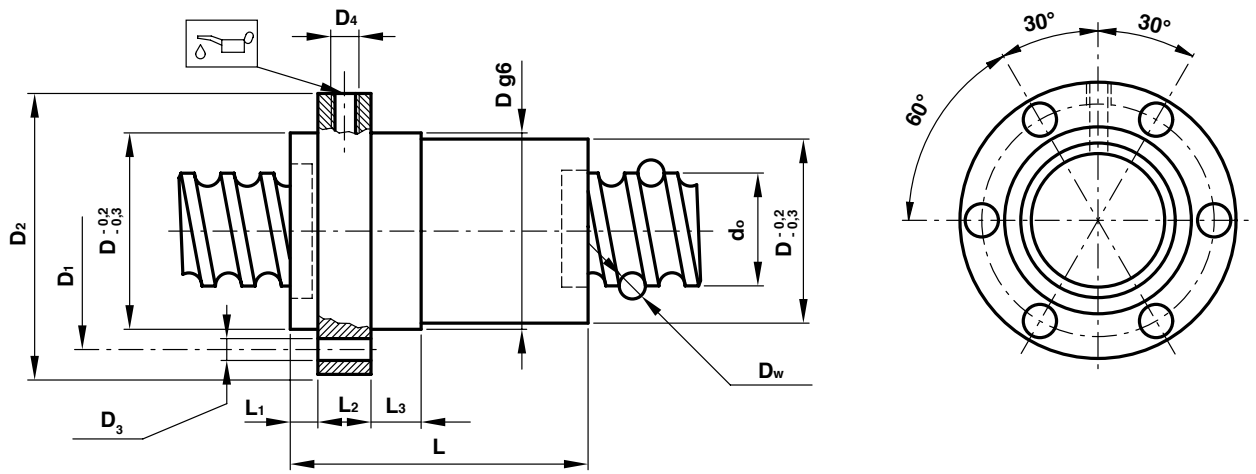


RU | STANDARD SINGLE FLANGED NUT TYPE FOR ROLLED SCREWS

1

DIFFERENT PITCH AND DIMENSIONS ARE AVAILABLE UPON REQUEST. DIMENSIONS IN INCHES ARE ALSO AVAILABLE / *NON-NORMALIZED TYPES

TYPE	d _o	P _h	D _w	N	D	D ₁	D ₂	D ₃	D ₄	L	L ₁	L ₂	L ₃	C _o	C _a	R _c
RU1605	16	5	3,175	3	28	38	48	5,5	M6	50	5	10	12	1191	1160	21
RU1610		10	3,175	3	28	38	48	5,5	M6	55	5	10	15	1191	1160	21
RU1616		16	3	2	33	45	58	6,5	M6	49	4	12	15	887	783	16
RU2005	20	5	3,175	4	33	45	57	6,5	M6	54	5	12	15	1985	1525	33
RU2505		5	3,175	4	38	50	62	6,5	M6	54	5	12	15	2691	1626	40
RU2506	25	6	3,969	4	40	51	62	6,5	M6	65	6	12	15	3105	2439	41
RU2510		10	4,762	4	45	64	80	8,5	M8x1	96	6	15	15	3346	3242	40
RU2525		25	3,969	2	45	60	73	6,5	M6	72	6	12	15	2383	1872	25
RU3205	32	5	3,175	4	45	58	72	6,5	M6	54	5	12	15	3692	1747	50
RU3206		6	3,969	4	50	65	80	8,5	M6	65	6	12	15	4221	2618	51
RU3210		10	6,35	4	50	70	86	8,5	M8x1	96	6	15	15	5876	5254	51
RU4005	40	5	3,175	5	53	68	80	6,5	M6	62	5	14	15	5722	2204	71
RU4010		10	6,35	5	60	78	95	8,5	M8x1	107	7	15	15	9377	6611	75
RU4040		40	6,35	2	70	85	100	8,5	M8x1	100	7	15	15	4875	3437	39
RU5010		50	10	6,35	5	72	90	108	8,5	M8x1	107	7	15	15	12714	7050



- N Nr of ball screw revolutions
- H Flange type
- d_o Major diameter (mm)
- P_h Pitch (mm)
- D_w Ball diameter (mm)
- C_o Static load capacity (daN)
- C_a Dynamic load capacity (daN)
- R_c Nut rigidity (daN/μm)

OFFICINA MECCANICA B.B.
WWW.OFFICINAMECCANICABB.COM

