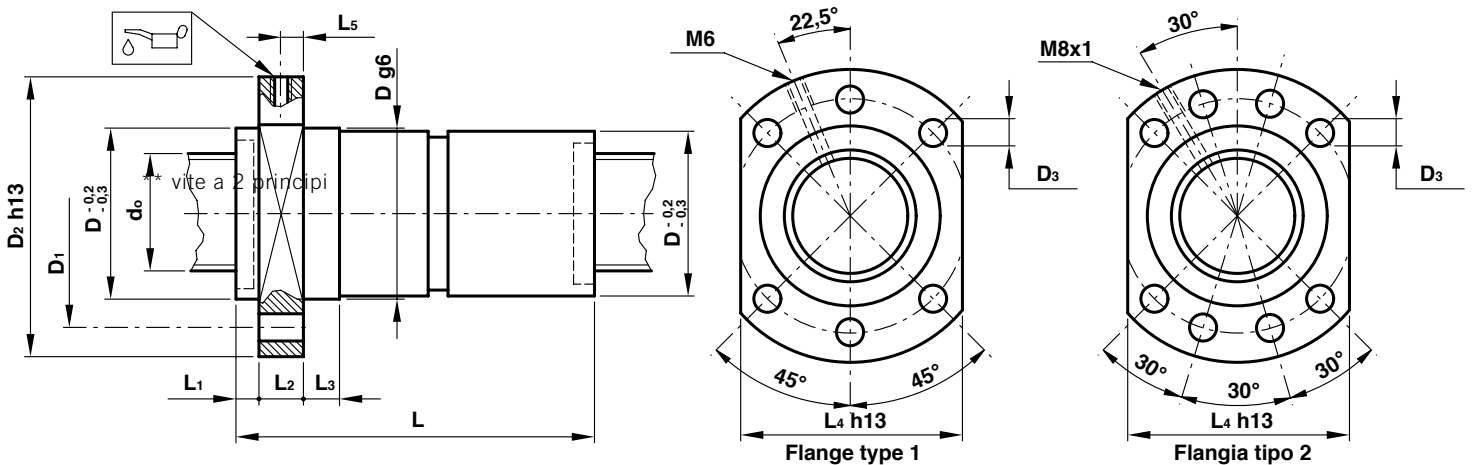


# DF | DOUBLE PRELOADED NUT TYPE DIN 69051/5 FOR GROUND SCREWS

2

DIFFERENT PITCH AND DIMENSIONS ARE AVAILABLE UPON REQUEST. DIMENSIONS IN INCHES ARE ALSO AVAILABLE / \*NON-NORMALIZED TYPES

TYPE	d <sub>o</sub>	P <sub>h</sub>	D <sub>w</sub>	N	D	D <sub>1</sub>	D <sub>2</sub>	D <sub>3</sub>	L	L <sub>1</sub>	L <sub>2</sub>	L <sub>3</sub>	L <sub>4</sub>	L <sub>5</sub>	H	C <sub>o</sub>	C <sub>a</sub>	R <sub>e</sub>
DF3206-3				3					102							4278	2654	82
DF3206-4	32*	6	3,969	4	50	65	80	9	114	6	12	10	62	6	1	5276	3273	102
DF3206-5				5					126							6232	3866	120
DF3210-3				3					143							5956	5325	82
DF3210-4	32	10	6,35	4	50	65	80	9	163	6	12	16	62	6	1	7345	6567	102
DF3210-5				5					183							8675	7757	122
DF3225-2	32*	25	4,762	2	56	68	80	6,6	135	6	12	16	62	6	1	3698	2671	62
DF3232-2	32*	32	4,762	2	56	68	80	6,6	165	6	12	16	62	6	1	3698	2671	62
DF4005-3				3					91							4910	1891	98
DF4005-4	40	5	3,175	4	63	78	93	9	101	7	14	10	70	7	2	6055	2332	120
DF4005-5				5					111							7152	2755	142
DF4006-3				3					105							5850	2832	102
DF4006-4	40*	6	3,969	4	63	78	93	9	117	7	14	10	70	7	2	7215	3492	126
DF4006-5				5					129							8522	4125	148
DF4006-6	40	6	3,969	6	63	78	93	9	141	7	14	10	70	7	2	9748	4718	168
DF4010-3				3					146							8047	5673	102
DF4010-4	40	10	6,35	4	63	78	93	9	166	7	14	16	70	7	2	9924	6996	126
DF4010-5				5					186							11721	8264	150
DF4010-6				6					206							13407	9452	172
DF4012-3				3					159							9038	6637	103
DF4012-4	40*	12	7,144	4	63	78	93	9	183	7	14	16	70	7	2	11146	8185	127
DF4012-5				5					207							15059	9668	150
DF4016-4	40	16	7,144	4	63	78	93	9	229	7	14	25	70	7	2	11153	8186	128
DF4016-5				5					261							13173	9668	150
DF4020-2	40*	20	6,35	2	63	78	93	9	176	7	14	25	70	7	2	6089	4296	78
DF4020-3				3					226							8041	5673	104
DF4040-2	40*	40	6,35	2	70	85	100	9	220	7	14	45	78	7	2	6094	4296	78
DF5005-3				3					93							6238	2021	116
DF5005-4	50	5	3,175	4	75	93	110	11	103	7	16	10	85	8	2	7693	2492	142
DF5005-5				5					113							9087	2944	168
DF5005-6				6					123							10394	3368	192
DF5006-3				3					107							7675	3024	122
DF5006-4	50*	6	3,969	4	75	93	110	11	119	7	16	10	85	8	2	9466	3729	152
DF5006-5				5					131							11180	4405	178
DF5006-6				6					143							12789	5039	204



- N Nr of ball screw revolutions
- H Flange type
- d<sub>o</sub> Major diameter (mm)
- P<sub>h</sub> Pitch (mm)
- D<sub>w</sub> Ball diameter (mm)
- C<sub>o</sub> Static load capacity (daN)
- C<sub>a</sub> Dynamic load capacity (daN)
- R<sub>e</sub> Nut rigidity (daN/μm)

**OFFICINA MECCANICA B.B.**  
WWW.OFFICINAMECCANICABB.COM

